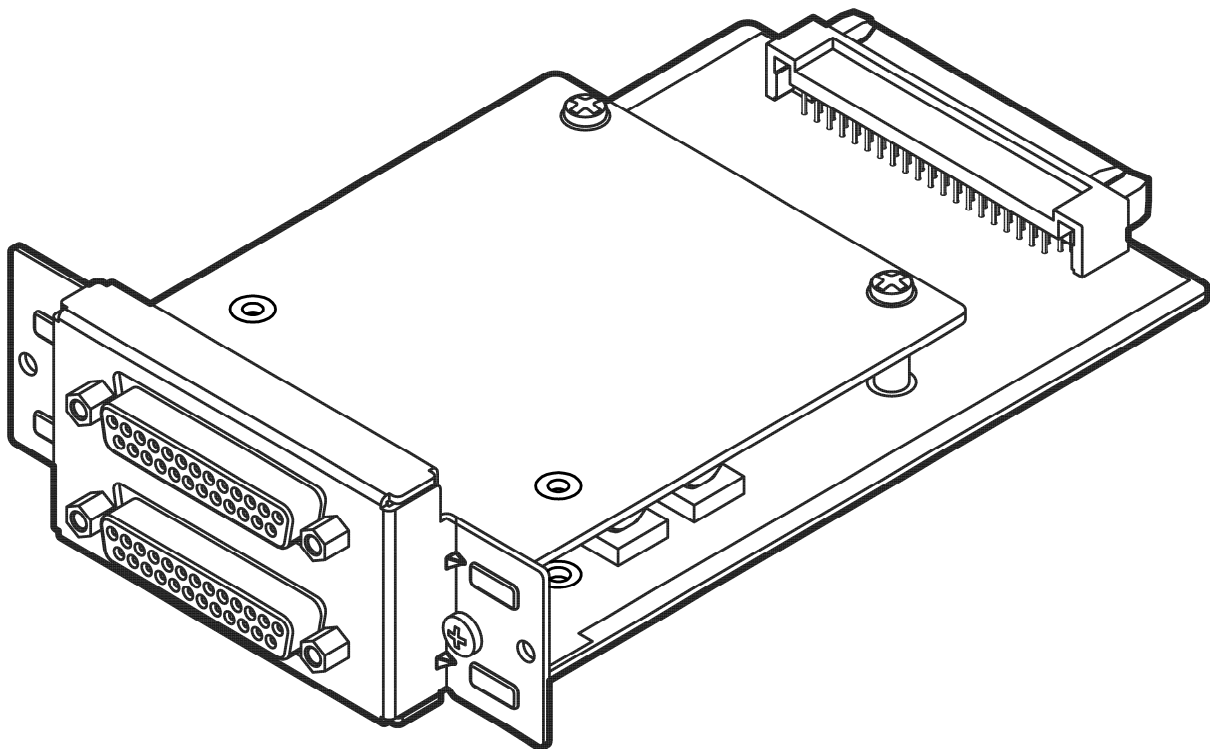


Product Spec Sheet  
AES/EBU Interface CARD  
**IF-AE16**



■ **Specifications**

Ratings

• **Formats and channels**

- 16 channels at 44.1/48kHz, 24-bit
- 16 channels at 88.2/96kHz, 24-bit (double speed)

Digital audio input/output ratings

• **AES/EBU 1-8/9-16 I/O connectors**

- Connector: D-Sub 25-pin
- Locking screws: No. 4-40 UNC (inch type)
- Pin assignments adhere to the TASCAM DB-25 Pinout Standard (AES59-2012)
- Output format

AES3-2003/IEC60958-4 (AES/EBU)

Input format (detected automatically)

AES3-2003/IEC60958-4 (AES/EBU)

IEC60958-3 (S/PDIF)\*

\*Data format only. Physical formats comply with AES3-2003/IEC60958-4 (AES/EBU).

Input frequencies

44.1/48/88.2/96 kHz (when sampling rate converter OFF)

32–192 kHz (when sampling rate converter ON)

**Other**

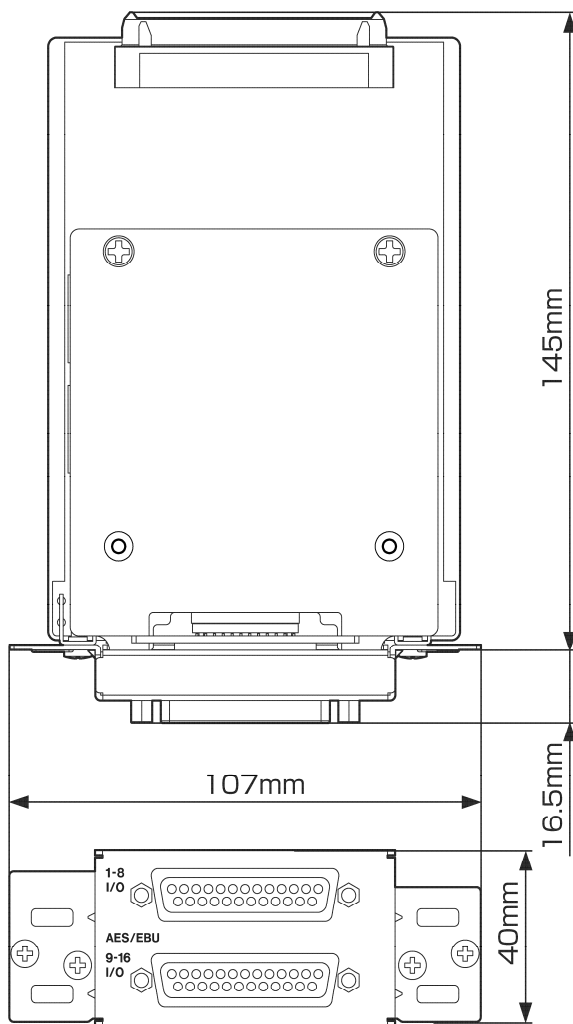
•Dimensions

107 x 40 x 161.5 mm (width × height × depth, including protrusions)

•Weight

222 g

■ Dimensional drawings



※TASCAM is trademark of TEAC CORPORATION, registered in the U.S. and other countries.

※Other company names, product names and logos are the trademarks or registered trademarks of their owners.

※Specifications and appearance are subject to change without notice.

※All information included in this document is as of Apr. 2016.