



Programable Wall-mount Controller



Control Software



# Matrix Mixer

with built-in DSP for small and mid-scale audio installations

Operation via  
**Control Apps**

for System Integrators/  
Administrators

for End users

**MIC/LINE**  
In x8

Compatible with +48V Phantom Power

**LINE**  
Out x8

Built-in **DSP**

**Matrix Mixer**

Compatible with  
Wall-mount  
Controller

**2 In / 2 Out**  
USB Audio Interface

**Ethernet/  
RS-232C**  
External Control





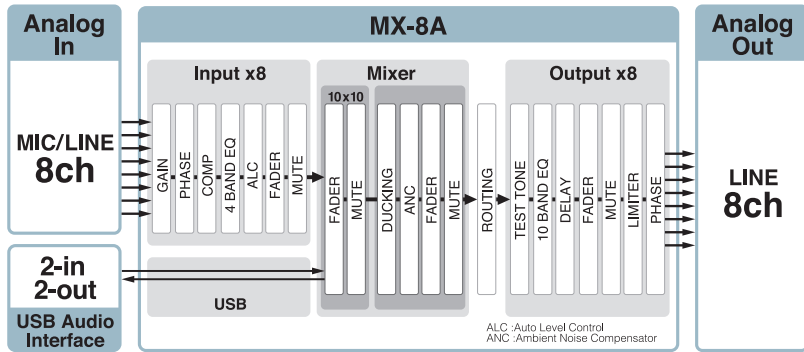
# MX-8A

8 INPUT / 8 OUTPUT MATRIX MIXER with DSP



## Matrix Mixer with built-in DSP for small/mid-scale installations

The TASCAM MX-8A is a Matrix Mixer equipped with 8 mic / line inputs and 8 line outputs as well as integrated DSP for audio optimization in various environments and configurations. Customizable control apps are also available to allow easy setup and adjustment by both system integrators and end users.

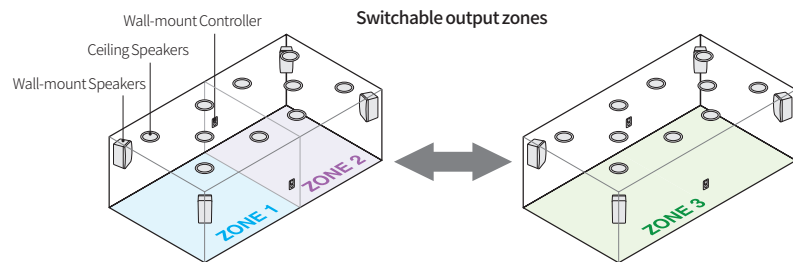


## Powerful Integrated DSP

The onboard DSP provides a full set of audio processing for mic and line inputs including Compressor, 4 parametric EQ, auto level, ducking and more. On line level outputs, the DSP delivers 10 band EQ, high pass filters, low pass filters, delay and limiter effects.

## Structuring small to mid-scale systems

With the TASCAM MX-8A, it is possible to mix mic and playback equipment audio signals into 8 different zones. This function can be used in installation systems for small to medium scale stores, restaurants or banquet rooms, etc.



## Remote Control Software

Two dedicated control software are available to operate the TASCAM MX-8A. The TASCAM MX CONNECT, is designed for integrators and provides control over the configuration and settings of an entire system. The TASCAM EZ CONNECT, is designed for end-users and provides easy control over a variety of settings.



## Auto audio configuration functions for a clearer sound

With the ducking function and/or the ambient noise compensator function, users will be able to have a much clearer sound when making announcements or when playing background music. These can be configured differently for each output zone of the matrix mixer.

### Ducking

This function detects the level of a mic input and simultaneously turns down the level of the selected output zone. This can be used to increase intelligibility of announcements when background music is present.

### Ambient Noise Compensator (ANC)

The Ambient Noise Compensator (ANC) function also detects input source level and automatically configures the level of the selected output zone. Whenever there is fluctuation on the noise level of a field environment, this function will automatically compensate the volume for clearer background music or announcements.

## Specifications

Audio performance (MIC IN → LINE OUT)

- Mic Amp EIN\*: -126dB or less \*Input referred noise
- Frequency response (±0.5dB): 20Hz to 20kHz
- THD (THD+N): 0.005% or less
- Signal-to-Noise ratio: 106dB or higher
- Cross talk: 106dB or higher
- Dynamic range: 106dB or higher
- Operating power: AC 100V to 240V, 50/60Hz
- Power consumption: 21W
- Overall dimensions (WxHxD): 483 x 45 x 304.1 mm (including protrusions)
- Weight: 3.0kg
- Operating temperature: 0 to 40°C / 32 to 104°F

## Related Software

- TASCAM MX CONNECT  
Control software for system integrators and administrators supports Windows, mac OS, Android, and iOS. (Free download)
- TASCAM EZ CONNECT  
Control software for end-users supports Windows, mac OS, Android, and iOS. (Free downloads)



## Option

- RC-W100-R120
- RC-W100-R86  
Programmable Wall-mount controller



Functions assignable to the RC-W100-R120's/RC-W100-R86's switches and encoder can be customized with the TASCAM MX CONNECT, control software, while a combination of the TASCAM EZ CONNECT, control software and the physical controllers allow system integrators to meet customer demands in a wide range of applications.

## Configurable Input Modules

- Mic/line input switching
- Phantom power ON/OFF (mic input)
- PAD (mic input)
- Mic gain (mic input)
- Compressor
- 4 band EQ
  - 2 band parametric EQ
  - Low shelving EQ / HPF
  - High shelving EQ
- Auto level control
- Mute
- Fader
- Fader / Mute grouping

## Configurable Output Modules

- 10 band EQ
- 8 band parametric EQ
- Low shelving EQ / HPF
- High shelving EQ / LPF
- Delay
- Limiter
- Phase switching
- Test tone
- Mute
- Fader
- Fader / Mute grouping

## Other features

- Built-in 10 IN / 10 OUT Matrix Mixer
- Flexible Output Routing to 8 LINE outputs
- Supports +48V Phantom Power
- Remote Gain Control
- High quality Mic Pre-amps support input range -70dBu to +26dBu
- 50 Scene presets triggered by SNTP-based Timer events
- Compatible with Audio Playback/Recording softwares
- Euroblock In/Out connectors
- Ethernet connector

Please note that not all models and colors are available in every country. Design and specifications subject to change without notice. ©2019 TEAC Corporation. All Rights Reserved. All text, images, graphics and other materials on this brochure are subject to the copyright and other intellectual property rights of TEAC Corporation. These materials shall not directly or indirectly be published, reproduced, modified or distributed in any medium. TEAC and TASCAM are trademarks or registered trademarks of TEAC Corporation. Dante is a trademark of Audinate Pty Ltd. Other brands and product names are trademarks or registered trademarks of respective owners.

Authorized Distributors

# TASCAM®

TEAC CORPORATION

1-47, Ochiai, Tama-shi, Tokyo 206-8530, Japan  
<https://tascam.jp/int>